



3.1JF

Aerating Fountain

3HP, 240V, Single Phase



Includes all 6 Patterns

Patterns (Upper L to R)

- Redwood**—24'H x 8'W
- Linden**—19'H x 4.5'W Inner, 8'H x 35'W Outer
- Spruce**—21'H x 13'W
- Birch**—14.5'H x 10'W
(Operating w/out nozzle)

Patterns (Lower L to R)

- Willow**—13'H x 25'W
- Juniper**—9'H x 48'W

Quick Facts

- ⇒ Complete Package includes Assembled Motor Unit, Power Control Panel, UV Resistant High Density Thermoplastic Float, Three 50' Braided Nylon Mooring Lines, SJTOW Rated 3 Wire Power Cable, and 5 UV Resistant Glass Filled Thermoplastic Deflector Nozzles to Create 6 Unique Patterns
- ⇒ Operates in 24" (61cm) of Water
- ⇒ Total Component Listed by ETL to meet UL and CSA Standards for Safety in Water
- ⇒ Sacrificial Zinc Anode Installed for Corrosion Protection and use in Salt Water Applications
- ⇒ Series 300 Austenitic Stainless Steel Construction of Exposed Metal; Salt Water Compatible
- ⇒ 3 Year Warranty
- ⇒ UPS Shippable
- ⇒ Power Cable Potted Quick Disconnect on 12 & 10 Gauge Cord Options with Stainless Steel Strain Relief
- ⇒ Made in the USA
- ⇒ Optional Low Voltage Lighting Package with 3 Machined Bronze Fixtures, Thermal Overload Protection, and 3 Internal Seals
- ⇒ Energy Efficient with Excellent GPM/kW Rates
- ⇒ Industrial Strength Design
- ⇒ Top Intake for Shallow Water Operation
- ⇒ Bottom Screen with 84 Vertical Screening Bars with Less Than 1" Gaps to Keep Debris Out and Allow for Maximum Water Flow Into the Unit

Features

Motor Unit

- ⇒ 3HP, 240V, Single Phase
- ⇒ 1750 RPM Motor
- ⇒ Oil Cooled, Continuous Duty Rated, Large Frame
- ⇒ Double Bearing
- ⇒ Thermal Overload Protection
- ⇒ Fully Unitized Heavy Duty Silicon Carbide Mechanical Seal
- ⇒ Series 300 Austenitic Stainless Steel Motor Can with Engineering Grade Thermoplastic Top

Fountain Components

- ⇒ Single UV Resistant Thermoplastic Impeller
- ⇒ UV Resistant Thermoplastic Cone and Fountain Housing with 300 Series Stainless Steel Hardware
- ⇒ All 5 Deflector Nozzles Included with 300 Series Stainless Steel Hardware
- ⇒ Glass Filled UV Resistant Thermoplastic Deflectors
- ⇒ Less than 5 Minute Nozzle Change/Replacement

Control Panel

- ⇒ U.L. Listed per N.E.C.
- ⇒ 20 Amp Double Pole Square D® Class A Human Rated GFCB
- ⇒ Surge Protector
- ⇒ 120V GFI Protected Outlet for Lights
- ⇒ Photo Cell for Light Kit
- ⇒ NEMA Type 3R Weatherproof Steel Enclosure
- ⇒ 24 Hour Mechanical Timer

Float

- ⇒ UV Resistant High Density Thermoplastic
- ⇒ 3-Piece Lap Joint Float
- ⇒ Protective Coated 300 Series Stainless Steel Hardware
- ⇒ Protective Coated, 300 Series Stainless Steel Top and Bottom Screens; 84 Vertical Screening Bars w/ Gaps Tapered from .875" to .188" on Bottom Screen
- ⇒ Three 50' Braided Nylon Mooring Ropes

Power Cable

- ⇒ SJTOW UL, CSA, & NEC Approved Underwater Rated Cable
- ⇒ 3 Wire (2 Hot and 1 Ground)
- ⇒ Available in 50', 100', 150', 200', and 250' Options (Cord Gauges of 14, 12, and 10 AWG; depending on length)
- ⇒ Potted Quick Disconnect and Stainless Steel Strain Relief on 12 & 10 AWG Cords
- ⇒ 6' Flex Sleeve Protection

Optional Lights

- ⇒ 3 Machine Bronze Fixtures
- ⇒ 12V, 75W MR-16 Bulbs
- ⇒ Thermal Overload Protection
- ⇒ Triple Sealed
- ⇒ ETL Approved for Floating Fountains; UL-676

Kasco 3.1JF Specifications

Model #	HP	Cord Length	Cord Gauge*	Voltage/Phase/Hz	Running Amps	Lock Rotor Amps	Sugg. Pond Size (SA) **	Min. Depth of Operation	Shipping Weight	Number of Boxes
3.1JF050	3	50'	14	240/1/60	13.4	61	Up to 1.5	24"	150 Lbs.	3
3.1JF100	3	100'	12	240/1/60	13.4	61	Up to 1.5	24"	161 Lbs.	4
3.1JF150	3	150'	12	240/1/60	13.4	61	Up to 1.5	24"	168 Lbs.	4
3.1JF200	3	200'	10	240/1/60	13.4	61	Up to 1.5	24"	197 Lbs.	4
3.1JF250	3	250'	10	240/1/60	13.4	61	Up to 1.5	24"	210 Lbs.	4

* 12 & 10 AWG Cords included potted quick disconnect and stainless steel strain relief.

** Surface acreage (SA) is determined by multiplying length x width of the pond. The actual shape, depth, and oxygen demand should be considered when selecting a unit size.

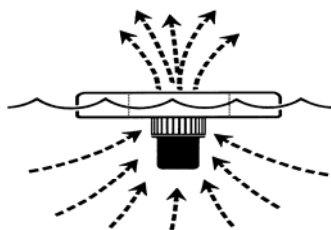
Kasco Optional Lighting Package Specifications

Model #	Cord Length	Number of Fixtures	Voltage/Phase/Hz	Wattage Per Fixture	Total Wattage	Lens Position	Shipping Weight	Number of Boxes
LR375050	50'	3	12/1/60	75	225	Above Water	20 Lbs.	1
LR375100	100'	3	12/1/60	75	225	Above Water	24 Lbs.	1
LR375150	150'	3	12/1/60	75	225	Above Water	28 Lbs.	1
LR375200	200'	3	12/1/60	75	225	Above Water	31 Lbs.	1
LR375250	250'	3	12/1/60	75	225	Above Water	35 Lbs.	1

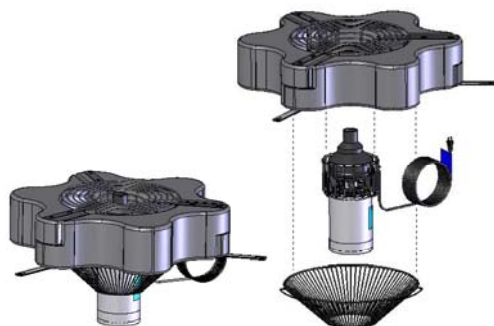
Light Kits include a built in, remote Low Voltage Transformer.

Operation

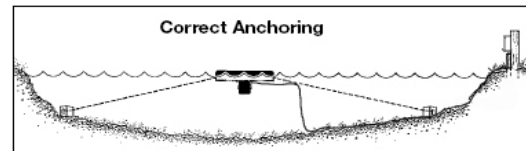
- ⇒ Submersed motor with top intake draws water into the fountain housing and pushes the water past the deflector nozzle and into the air.
- ⇒ Individual water droplets absorb oxygen from the atmosphere and return to the body of water transferring oxygen from the air and into the water.
- ⇒ Moving water mixes and agitates the water, spreading oxygenated water throughout the body of water.
- ⇒ Single impeller and deflector nozzle design allows for greater water flow with a lower likelihood of clogging.
- ⇒ Coated stainless steel bottom screen with 84 vertical bars with less than 1" gaps shall catch large debris and assist in reducing the likelihood of clogging while allowing for maximum water flow into the unit.



During unit operation, water is circulated from 360° around the unit as well as from below. Top intake for shallow water operation.



The motor unit attaches to the float using stainless steel hardware for a secure assembly. The 3 section, U.V. resistant, high density thermoplastic float allows for excellent durability with an attractive shape and low visibility. Rigid top and bottom screens help protect the unit from debris and reduce the likelihood of clogging.



Assembly and Installation of Kasco equipment is quick and easy. Each unit includes an Owners Manual with specific steps to assemble, install, and operate the equipment properly.



Each 3.1JF Includes a UL Approved, 240V Power Control Panel complete with Class A Human Rated GFCB, 24 Hour Mechanical Timer, Surge Protector, and Photo Eye for Optional Light Kit. NEMA Type 3R weather-proof steel enclosure.



The Optional Lighting Package easily mounts to the float and can be purchased and added at any time. ETL approved for Floating Fountains. ETL Control #3020379; UL-676.

Kasco Marine, Inc.
800 Deere Rd.
Prescott, WI 54021

Ph: (715) 262-4488 * Fax: (715) 262-4487
www.KascoMarine.com * www.GotAlgae.com
Sales@KascoMarine.com

